

How to order RONDO

Suspension Lighting

Client :

Project :

Order # :

Qty :

Date :

HOW TO ORDER

Example of use

MODEL	FINISH	LENGTH	CCT	SUSPENSION KIT	POWER	VOLTAGE	ELECTRICAL WIRE
RONDO	1	8	30K	R1	6W	120D	C

MODEL	FINISH	LENGTH	CCT	SUSPENSION KIT	POWER	VOLTAGE	ELECTRICAL WIRE
RONDO				R1			
	1 = OILED 2 = NATURAL 0 = OTHER	5 = 5 INCH 8 = 8 INCH	30K = 3000K 42K = 4200K	R1 = ROUND 1 FIXTURE	3W = 3W 300LM 6W = 6W 600LM	120 = 120VAC non-dimm. 120D = 120VAC dimm. 240 = 240VAC non-dimm.	BW = BLACK & WHITE R = BRAIDED RED W = WHITE C = CLEAR

Certifications



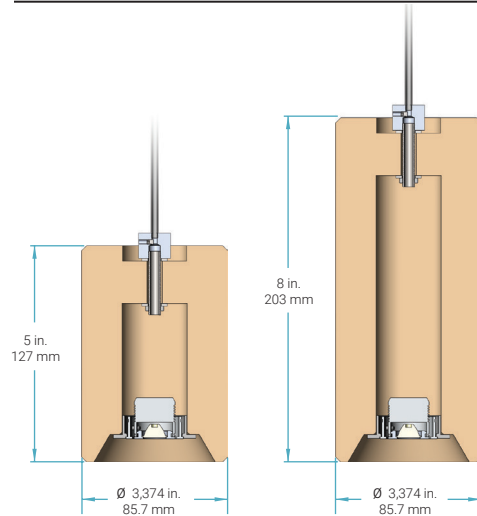
Finishes



Natural

Oiled

Dimensions



Features

- Made in North America
- Ecological engineered hardwood enclosure
- Stainless steel components
- Driver included
- Dimmable lighting (6W model only - Use Lutron CTCL-153P-Skylark or Diva)
- Includes round 5 in. stainless steel canopy and 8 ft. of clear cable

Light Colours

